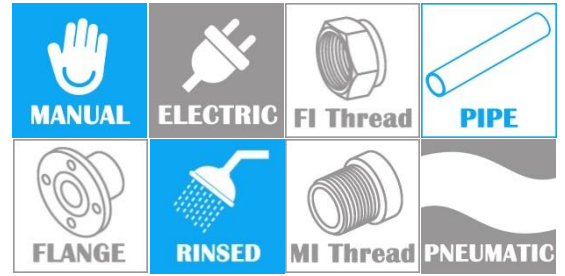
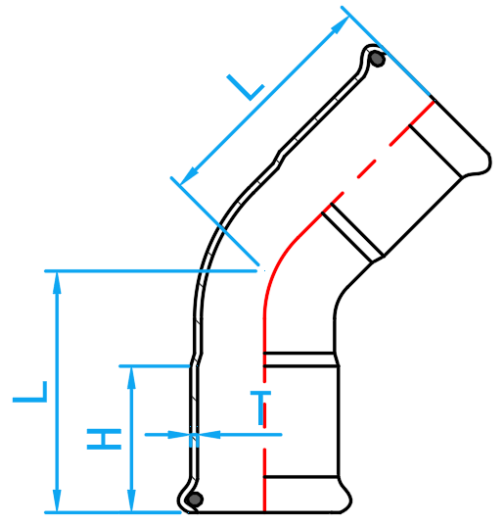


# STAINLESS STEEL 304 PRESS FIT FITTINGS (M PROFILE)

COMPLY WITH BSEN1254-2: 1998  
AS 3688: 2005  
AS/NZS 4020: 2005  
SS 375: 2015  
SS 270: 2015



## 45° ELBOW



CROSS SECTIONAL VIEW

### DIMENSIONS

SKU	SIZE (mm)	L (mm)	H (mm)	T (mm)	WEIGHT (kg)	PCS/CTN
SSPFNE45015	15	30	20	1.5	0.037	400
SSPFNE45020	22	35	21	1.5	0.076	160
SSPFNE45025	28	40	23	1.5	0.111	120
SSPFNE45035	35	47	26	1.5	0.132	140
SSPFNE45042	42	55	31	1.5	0.217	80
SSPFNE45050	54	66	36	1.5	0.268	48
SSPFNE45065	65	93	50	2.0	0.604	18
SSPFNE45080	76	107	51	2.0	0.812	12
SSPFNE45100	108	145	75	2.0	1.615	4